



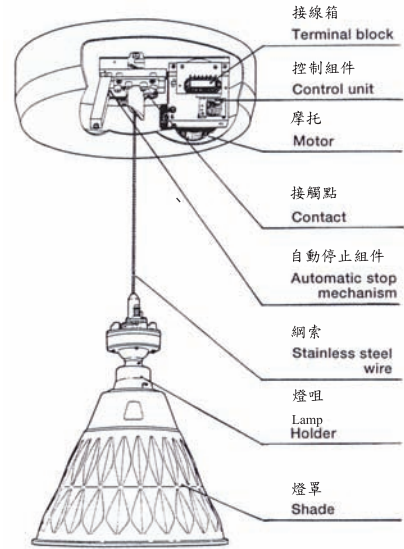
# 自動升降器

## Automatic Raising & Lowering Devices

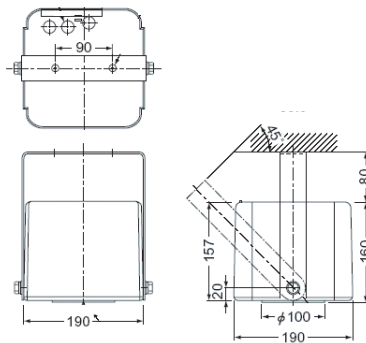
日本製造  
Made in Japan

為節省人力，更有效率及安全地進行安裝於高天花燈具之維修及清潔，岩崎電氣特別研究及生產多款自動升降器以供選擇。

Iwasaki Electric Co., Ltd., aims at labor saving, efficiency and safety, has realized the "EYE Automatic Raising and Lowering Devices". It is a handling device for relamping & maintenance work for lighting fixtures installed on high ceilings.

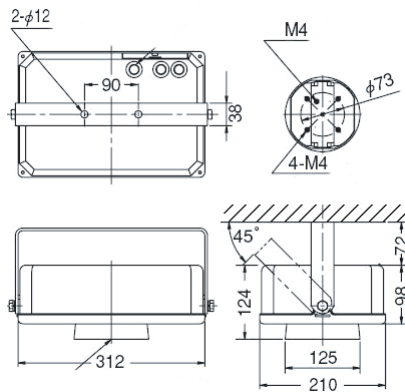


### UDM21283/K



容許負重 Acceptable Loading	0-6kg.
鋼索長度 Stainless Steel Wire Length	15m
鋼索直徑 Stainless Steel Wire Diameter	1.1mm
供應電壓 Supply Voltage	220V
輸出額定值 Rated Output	12W 0.23A
接點/電路 Contacts/Circuit	2/1
接觸點容量 Contact Capacity	300V 12A
重量 Weight	4.8kg.

### UDM422001/K



容許負重 Acceptable Loading	0-12kg.
鋼索長度 Stainless Steel Wire Length	15m
鋼索直徑 Stainless Steel Wire Diameter	1.1mm
供應電壓 Supply Voltage	220V
輸出額定值 Rated Output	12W 0.23A
接點/電路 Contacts/Circuit	4/2
接觸點容量 Contact Capacity	300V 12A
重量 Weight	7kg.

