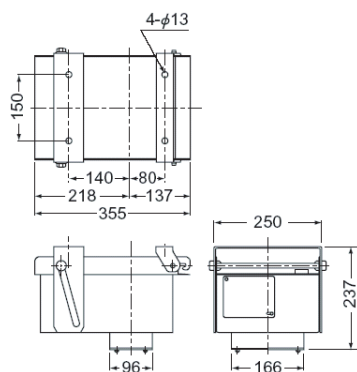
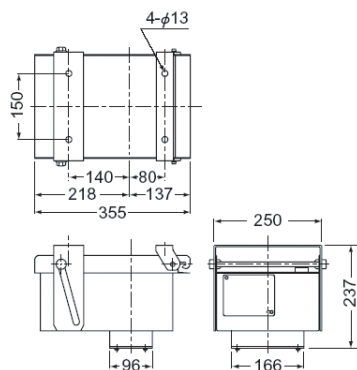


UDM63252/K



容許負重 Acceptable Loading	2-15kg.
鋼索長度 Stainless Steel Wire Length	15m
鋼索直徑 Stainless Steel Wire Diameter	1.8mm
供應電壓 Supply Voltage	220V
輸出額定值 Rated Output	20W 0.35A
接點/電路 Contacts/Circuit	6/3
接觸點容量 Contact Capacity	300V 12A
重量 Weight	10.5kg.

UDM85252/K



容許負重 Acceptable Loading	3-25kg.
鋼索長度 Stainless Steel Wire Length	15m
鋼索直徑 Stainless Steel Wire Diameter	2.0mm
供應電壓 Supply Voltage	220V
輸出額定值 Rated Output	40W 0.45A
接點/電路 Contacts/Circuit	8/4
接觸點容量 Contact Capacity	300V 12A
重量 Weight	12.5kg.

感光開關掣

一個自動開關裝置，美觀耐用，適合戶外使用。當照明度低至某水平，連接之燈具會自動亮起，當照明度高至某水平，燈具便會自動被關掉。

Daylight Switches

An automatic on/off device, elegant and durable, suitable for outdoor applications. When the illumination is low to certain level, the connected lighting system will be switched on automatically, when the illumination is high to certain level, the lighting system will be switched off automatically.

型號 Model No.	復金屬式 Bi-Metal Type			電子磁感式 Electromagnetic Type	
	負載 Loading Current	PBL2203	PBL2206	PBL2210	PR2210
電壓 Voltage	220V				
開燈 On	10-80Lux				
關燈 Off	< 400Lux				